

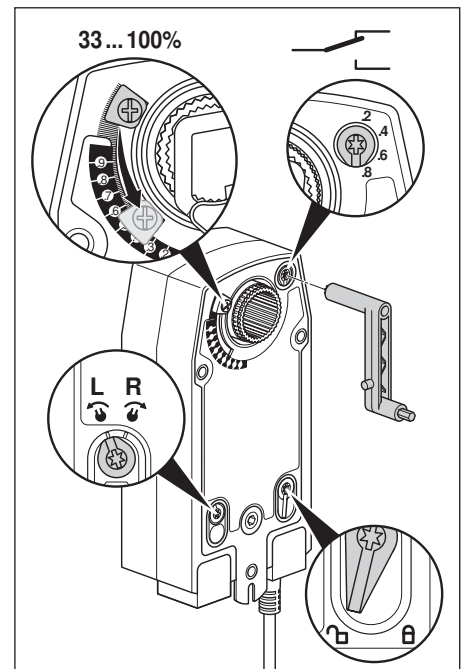
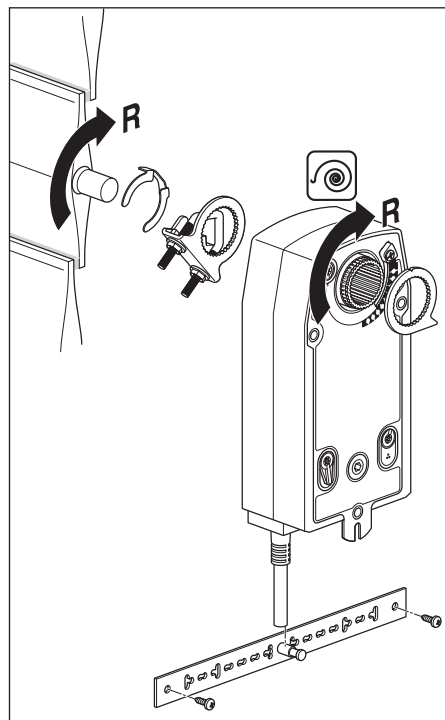
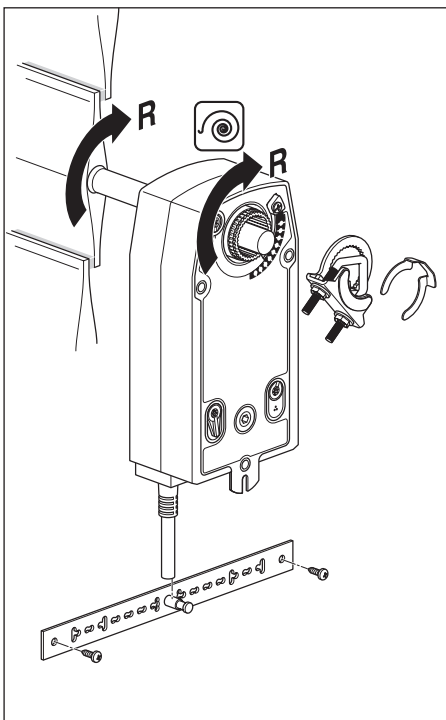
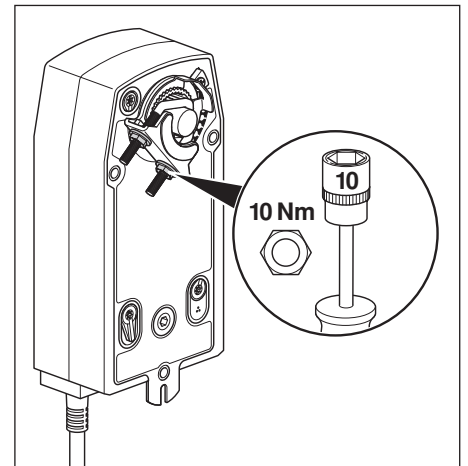
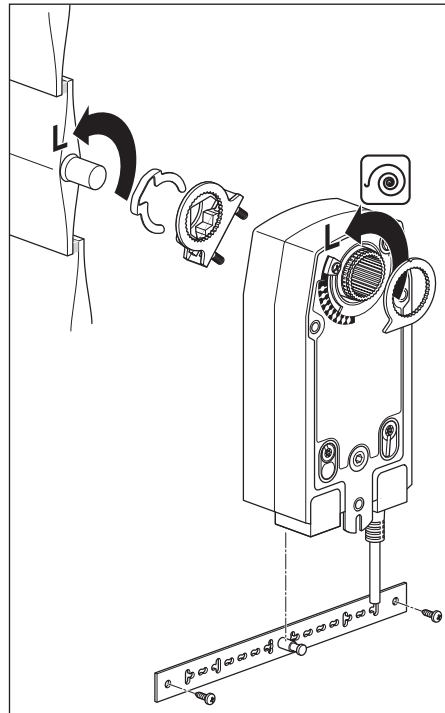
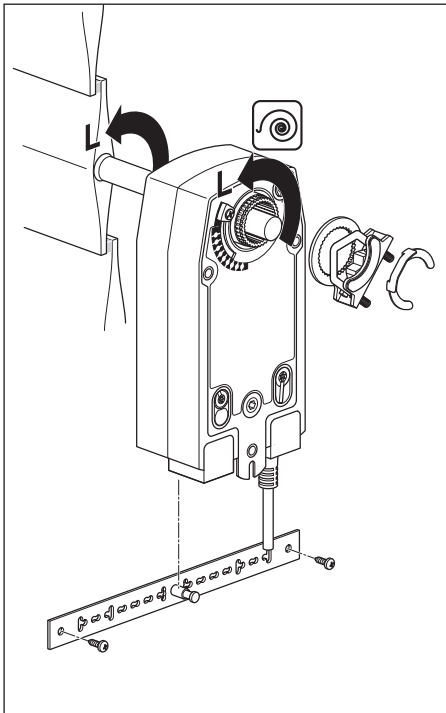
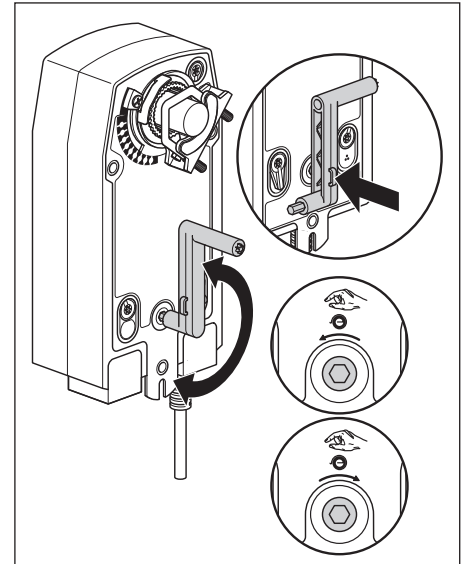
71389-00001.C

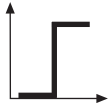
A

10...22	10	14...25.4
19...25.4	12...18	

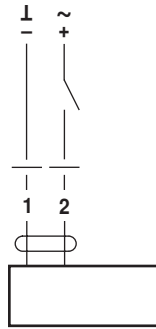
B

10...22	10	14...25.4
19...25.4	12...18	

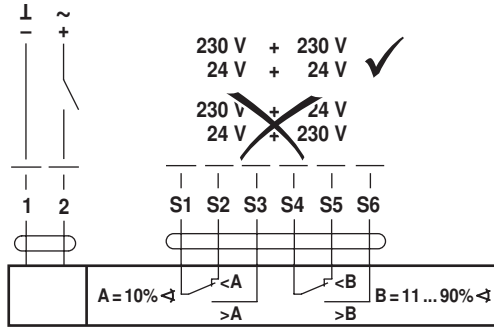




AC 24 V / DC 24 V

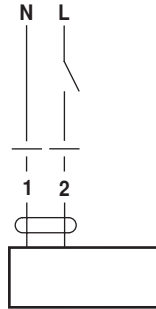


..F24A

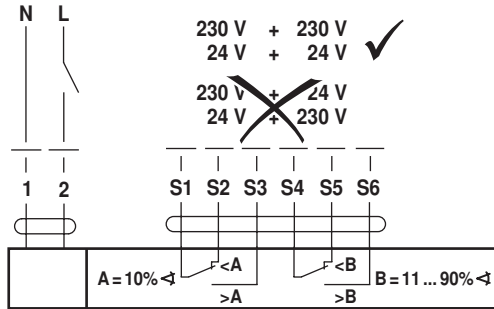


..F24A-S2

AC 230 V

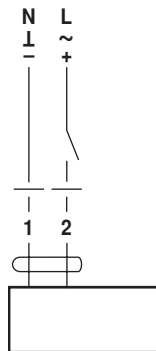


..F230A

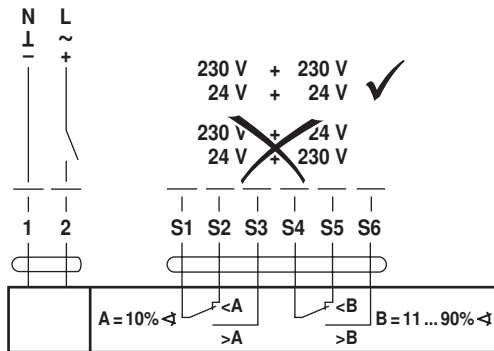


..F230A-S2

AC 24 ... 240 V / DC 24 ... 125 V



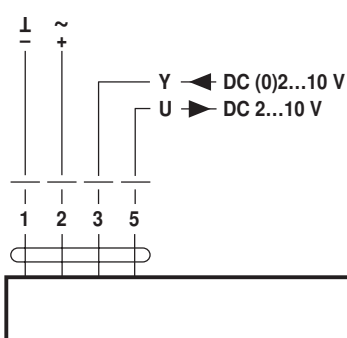
NFA
SFA



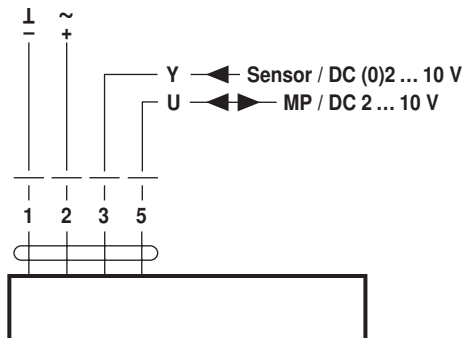
NFA-S2
SFA-S2



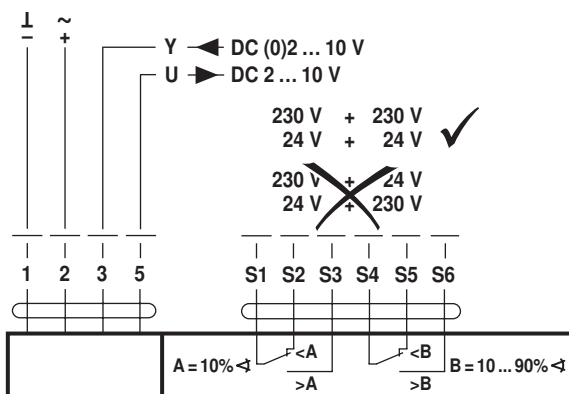
AC 24 V / DC 24 V



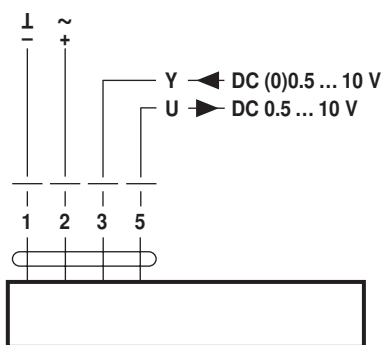
..F24A-SR
..F24A-MF



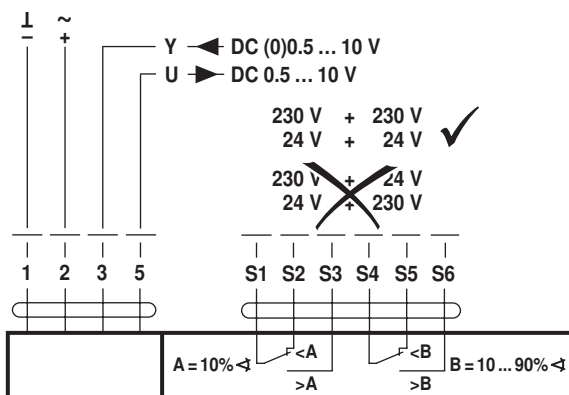
..F24A-MP



..F24A-SR-S2



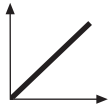
..F24A-SZ



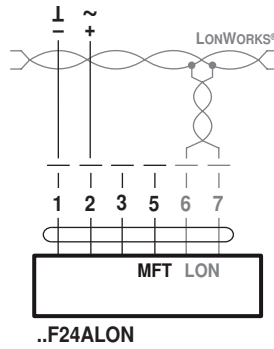
..F24A-SZ-S2

Y = 0	Y = 0	Y = 0	Y = 0

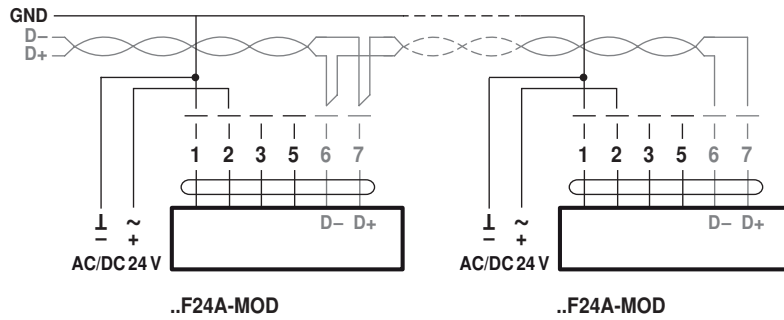
- ..F24A-SR
- ..F24A-SR-S2
- ..F24A-SZ
- ..F24A-SZ-S2



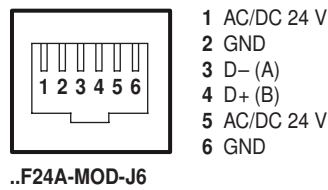
AC 24 V / DC 24 V



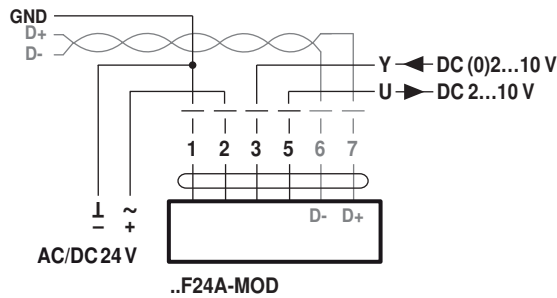
BACnet MS/TP / Modbus RTU

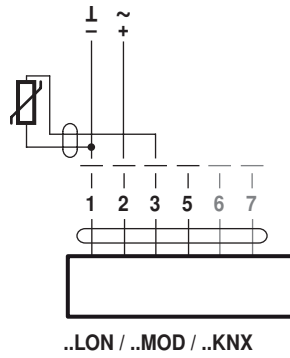


BACnet MS/TP / Modbus RTU / analog



BACnet MS/TP / Modbus RTU / analog





Ni1000	-28...+98°C	850...1600 Ω ²⁾
PT1000	-35...+155°C	850...1600 Ω ²⁾
NTC	-10...+160°C ¹⁾	200 Ω...60 kΩ ²⁾

